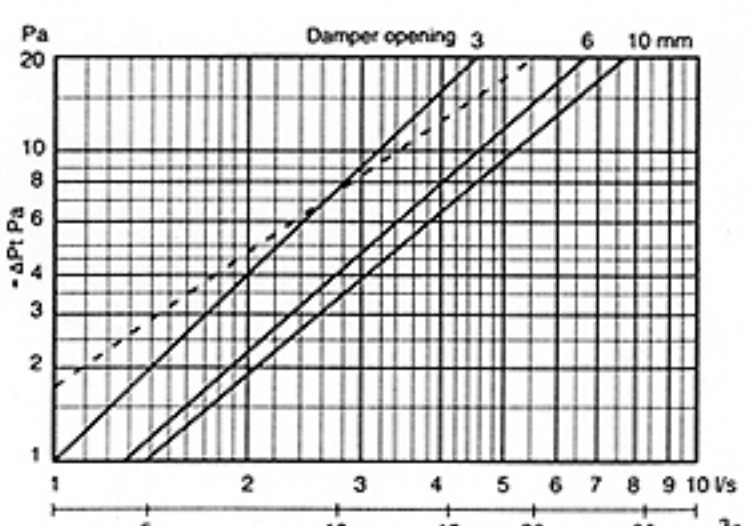


Fresh 80/100

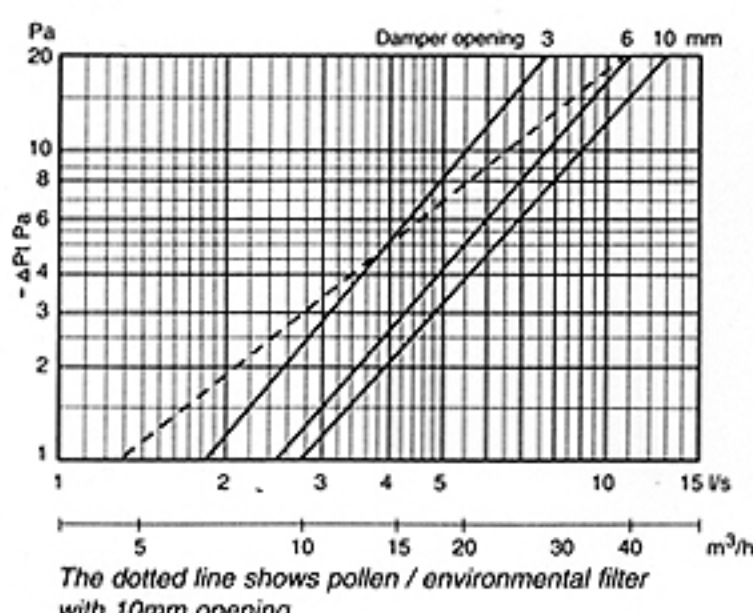
CAPACITY

Fresh 80



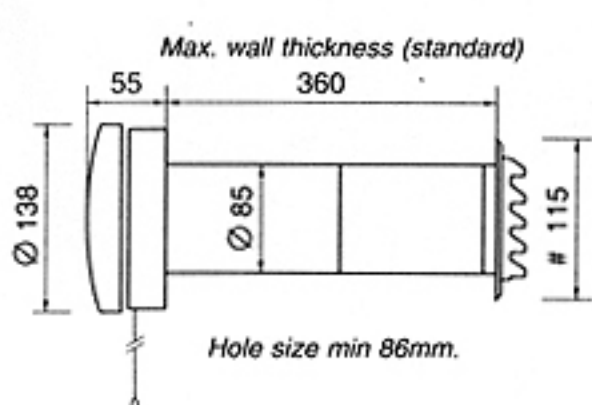
CAPACITY

Fresh 100



MEASUREMENTS

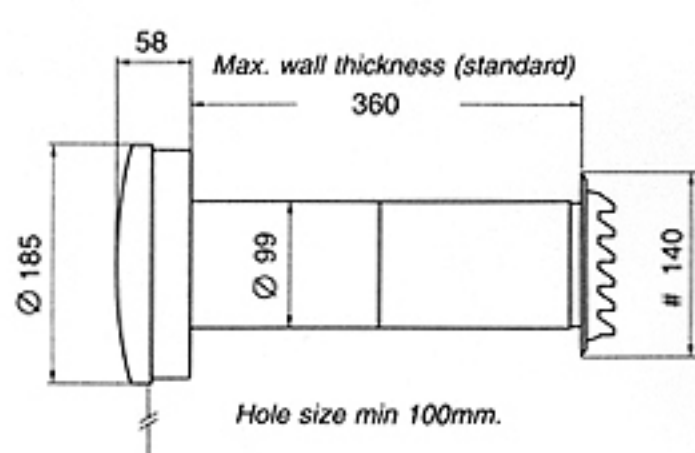
Fresh 80



Measurements apply to standard units. Special requirements also catered for.

MEASUREMENTS

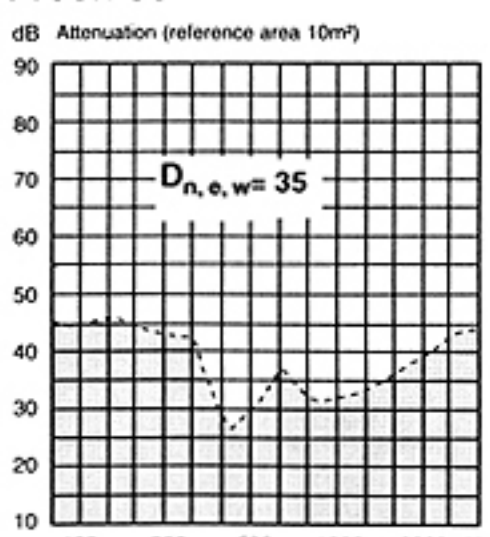
Fresh 100



Measurements apply to standard units. Special requirements also catered for.

ACOUSTIC DAMPING

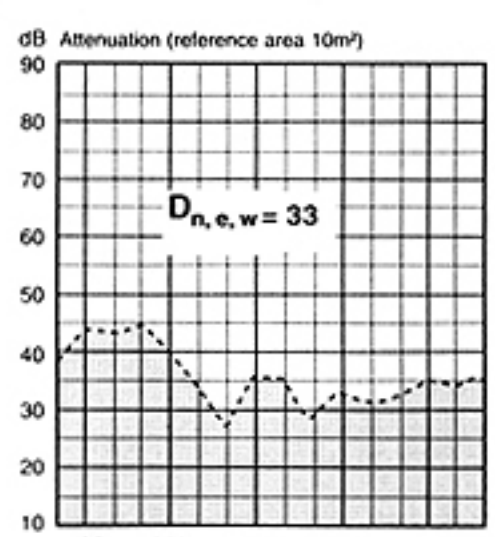
Fresh 80



For better acoustic damping see Fresh 80-dB

ACOUSTIC DAMPING

Fresh 100

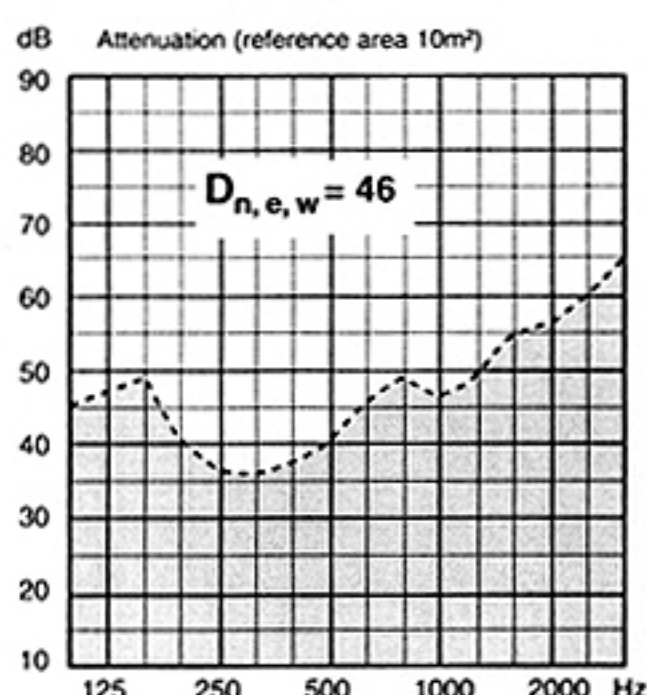


For better acoustic damping see Fresh 100-dB

Fresh 80-dB/100-dB

ACOUSTIC DAMPING

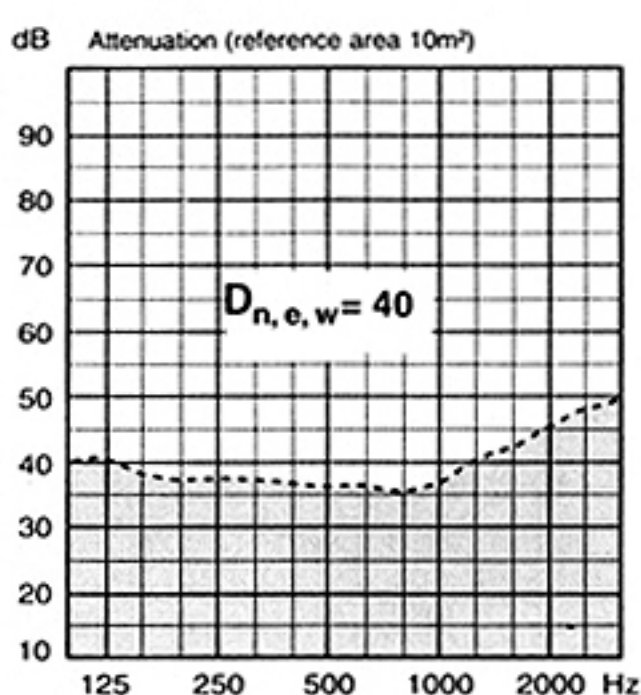
Fresh 80-dB



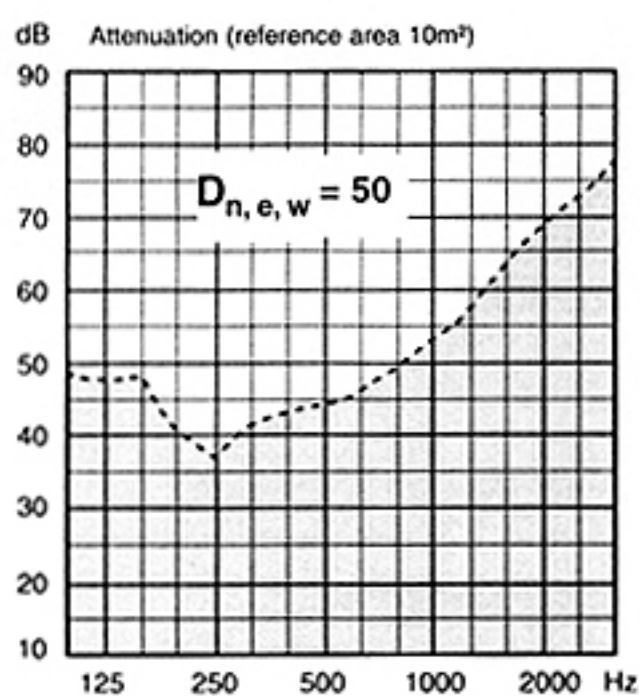
Acoustic damping with open damper 200mm wall.

ACOUSTIC DAMPING

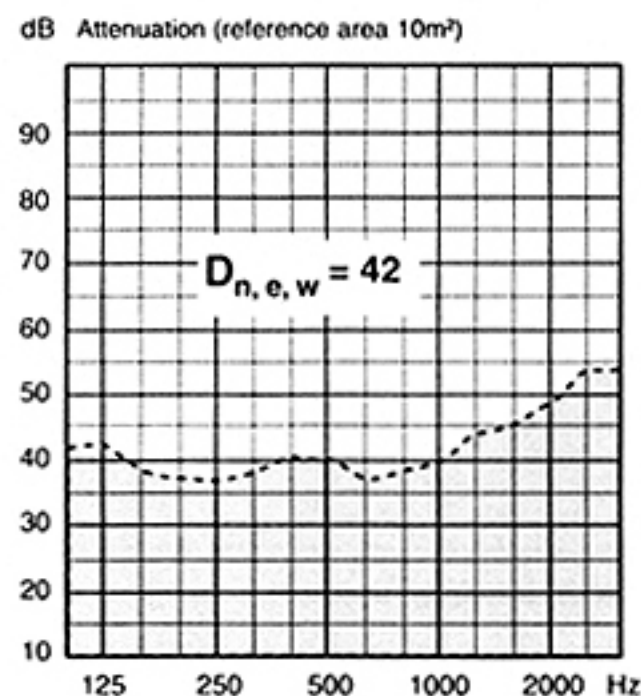
Fresh 100-dB



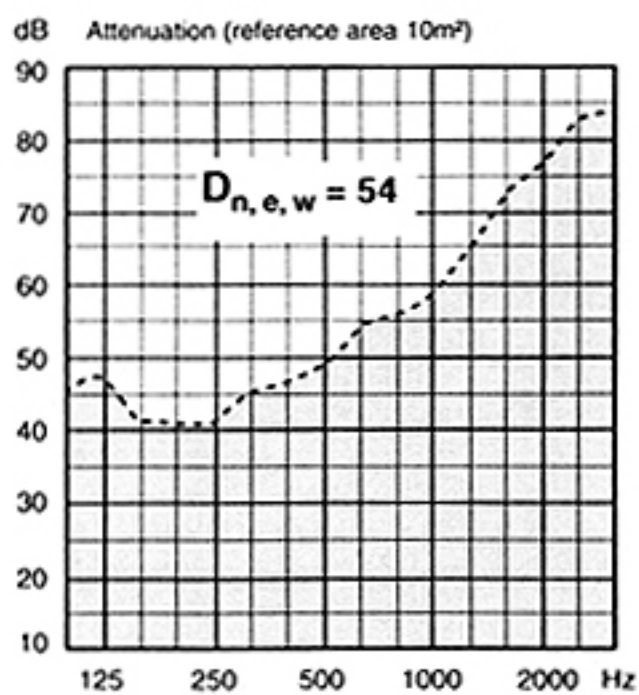
Acoustic damping with open damper 200mm wall.



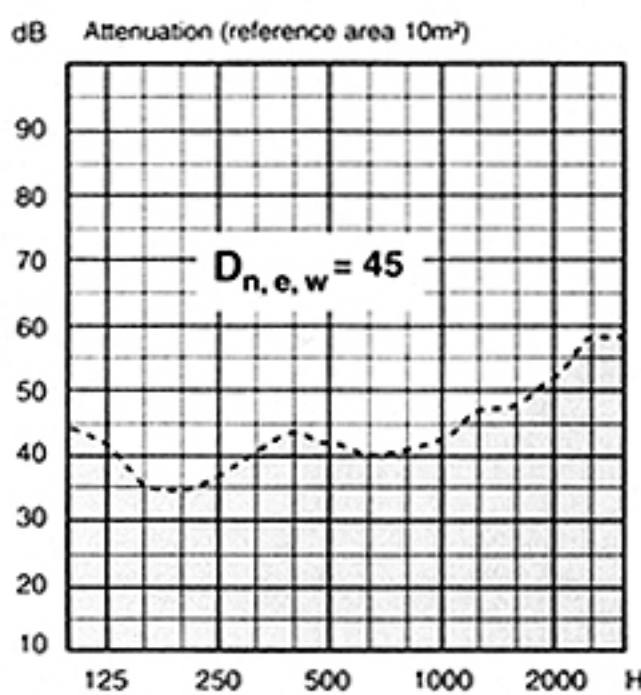
Acoustic damping with open damper 300mm wall.



Acoustic damping with open damper 300mm wall.



Acoustic damping with open damper 400mm wall.



Acoustic damping with open damper 400mm wall.