

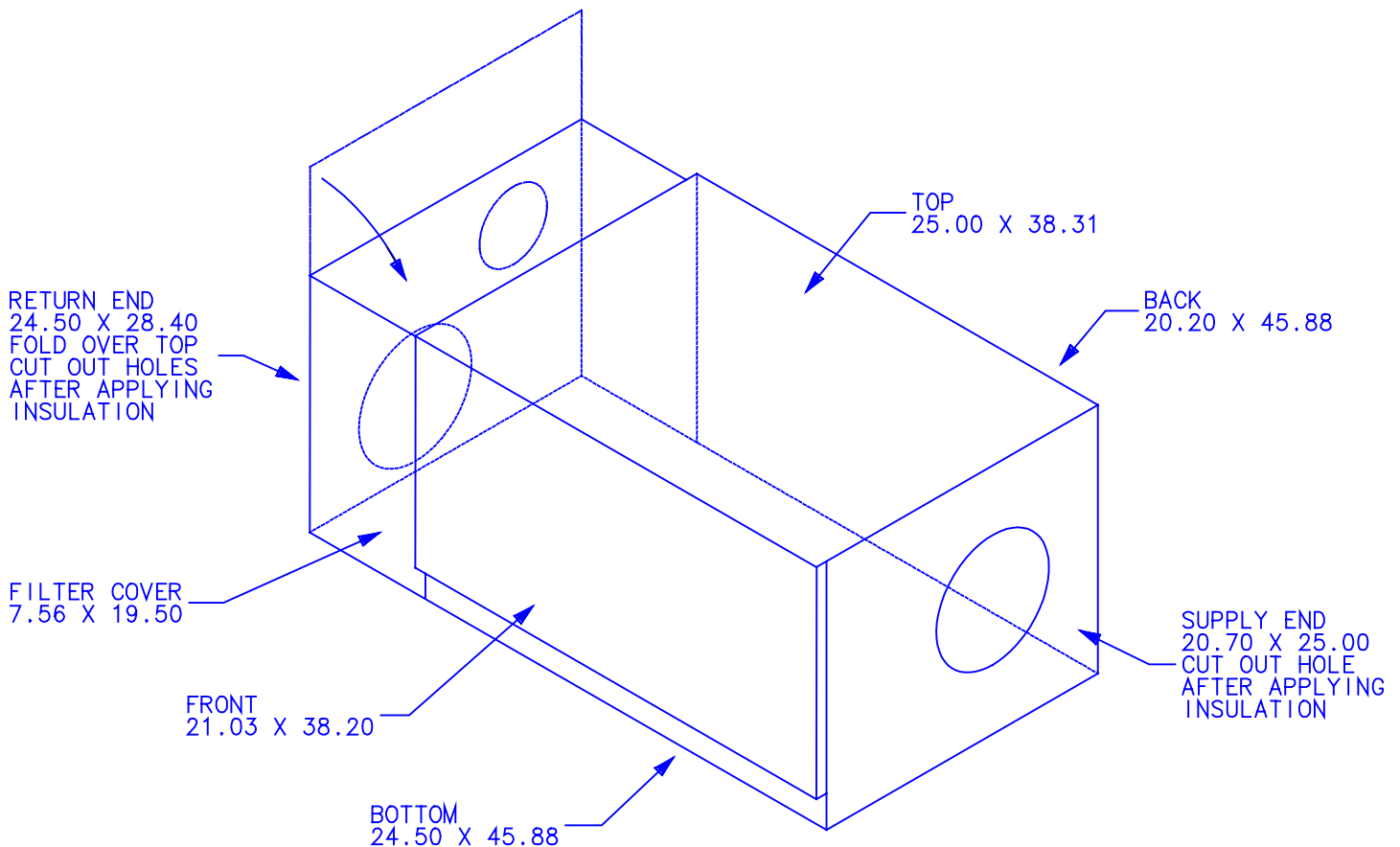
150H-Series External Insulation Kit

 **Therma-Stor**
PO Box 8050, Madison, WI 53708
1-800-533-7533
www.thermastor.com

INSTRUCTIONS FOR APPLYING THE INSULATION TO THE 150H

The 150H must be clean, dry and at room temperature to apply the insulation kit. The insulation has a pressure sensitive adhesive with release paper applied to one side. To apply the insulation, remove the release paper and press the sheet firmly against the 150H. Apply insulation before installing the 150H if possible, as this is the easiest time to install the insulation kit.

Install the insulation kit as shown in the illustration below. After installing the insulation, cut out the holes for the supply and return connections and cut the seam around the removable front cover so it can be removed easily. If more insulation is needed two or more insulation kits may be applied to a single 150H.



The dimensions below each location represent the size of the individual insulation pieces